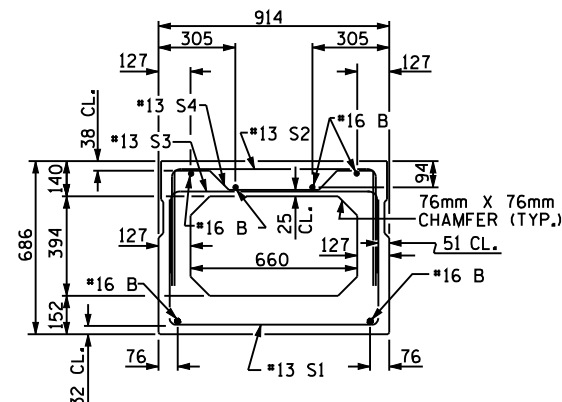


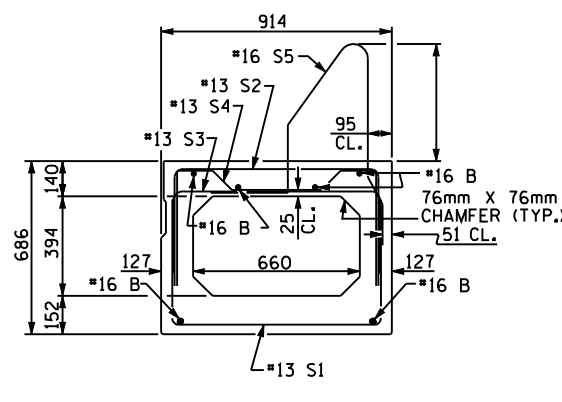
END ELEVATION

SHOWING PLACEMENT OF #16 & #13 "A" BARS AND LOCATION OF DOWEL HOLES. (INTERIOR BOX BEAM SECTION SHOWN-EXTERIOR SECTION SIMILAR EXCEPT SHEAR KEY LOCATION. STRAND LAYOUT NOT SHOWN.)



INTERIOR BOX BEAM SECTION

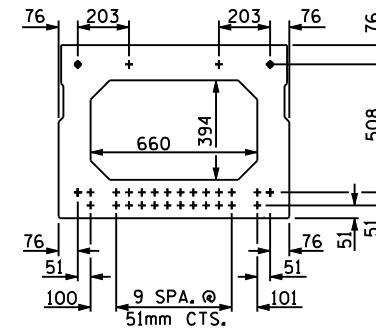
(STRAND LAYOUT NOT SHOWN)



EXTERIOR BOX BEAM SECTION

(STRAND LAYOUT NOT SHOWN)

15.24mm Ø LOW RELAXATION STRAND LAYOUT



TYPICAL STRAND LOCATION

(... STRANDS REQUIRED) (INTERIOR BOX BEAM SECTION SHOWN-EXTERIOR SECTION SIMILAR EXCEPT SHEAR KEY LOCATION)

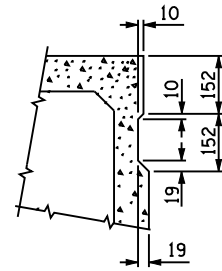
DEBONDING LEGEND

● FULLY BONDED STRANDS

GRADE 270 STRANDS	
	15.24mm Ø L.R.
AREA (mm ²)	140.00
ULTIMATE STRENGTH (KN PER STRAND)	260.7
APPLIED PRESTRESS (KN PER STRAND)	195.5

CHAMFER DETAIL

SHOWING 150mm VOID CHAMFER



SHEAR KEY DETAIL

NOTE: OMIT SHEAR KEY ON OUTSIDE FACE OF EXTERIOR BOX BEAMS.

END VIEW

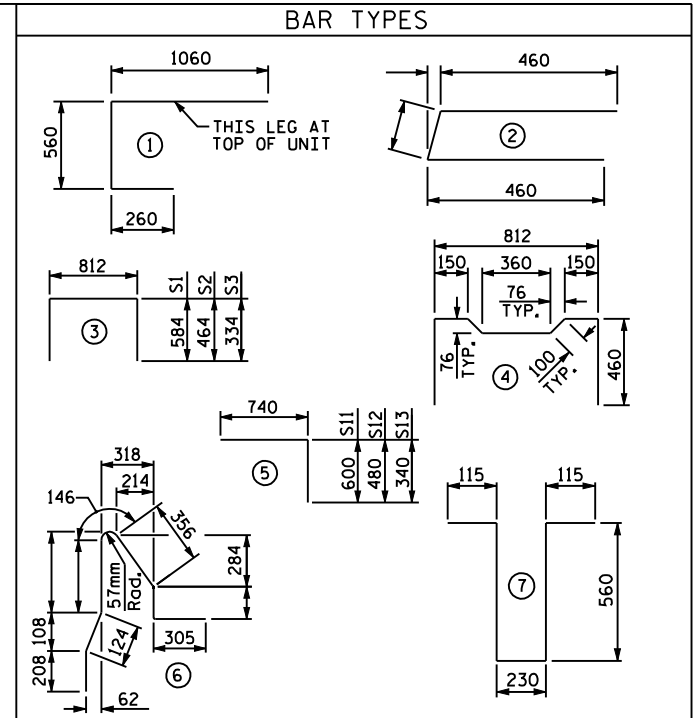
(SHOWING #13 "S" BARS IN END OF BEAM)

DETAIL "B"

EXTERIOR UNIT SHOWN, INTERIOR UNIT SIMILAR EXCEPT OMIT #16 S5 BARS. "B" BARS AND "A" BARS NOT SHOWN.

PLAN OF BOX BEAM

EXTERIOR UNIT SHOWN, INTERIOR UNIT SIMILAR EXCEPT OMIT #16 S5 BARS. FOR LOCATION OF DIAPHRAGMS, SEE PLAN OF SPANS. FOR REINFORCING STEEL IN DIAPHRAGMS, SEE DIAPHRAGM DETAILS.



ALL BAR DIMENSIONS ARE OUT TO OUT

BILL OF MATERIAL FOR ONE BOX BEAM SECTION

BAR	NUMBER	SIZE	TYPE	EXTERIOR UNIT		INTERIOR UNIT	
				LENGTH	WEIGHT	LENGTH	WEIGHT
A1	10	#16	1	1880	29	1880	29
A2		#13	2				
B		#16	STR				
K1		#13	7	1580		1580	
K2		#13	STR				
S1		#13	3	1980		1980	
S2		#13	3	1740		1740	
S3		#13	3	1480		1480	
S4		#13	4	1780		1780	
S11		#13	5	1340		1340	
S12		#13	5	1220		1220	
S13		#13	5	1080		1080	
* S5		#16	6			--	--
REINFORCING STEEL				kg		kg	
* EPOXY COATED REINF. STEEL				kg			
--- MPa CONCRETE				CU. METERS		CU. METERS	
15.24mm Ø L.R. STRANDS				No.		No.	

PROJECT NO. _____

_____ COUNTY

STATION: _____

SHEET _ OF _

STATE OF NORTH CAROLINA
DEPARTMENT OF TRANSPORTATION
RALEIGH
STANDARD
914mm X 686mm
PRESTRESSED CONCRETE
BOX BEAM UNIT
SPAN " _ "

REVISIONS						SHEET NO.
NO.	BY:	DATE:	NO.	BY:	DATE:	
1			3			TOTAL SHEETS
2			4			

ASSEMBLED BY :	DATE :
CHECKED BY :	DATE :
DRAWN BY : TLA 5/05	ADDED 7/11/05
CHECKED BY : GM 6/05	REV. 5/1/06R TLA/GM

*****SYTIME*****
*****DGN*****
*****USERNAME*****